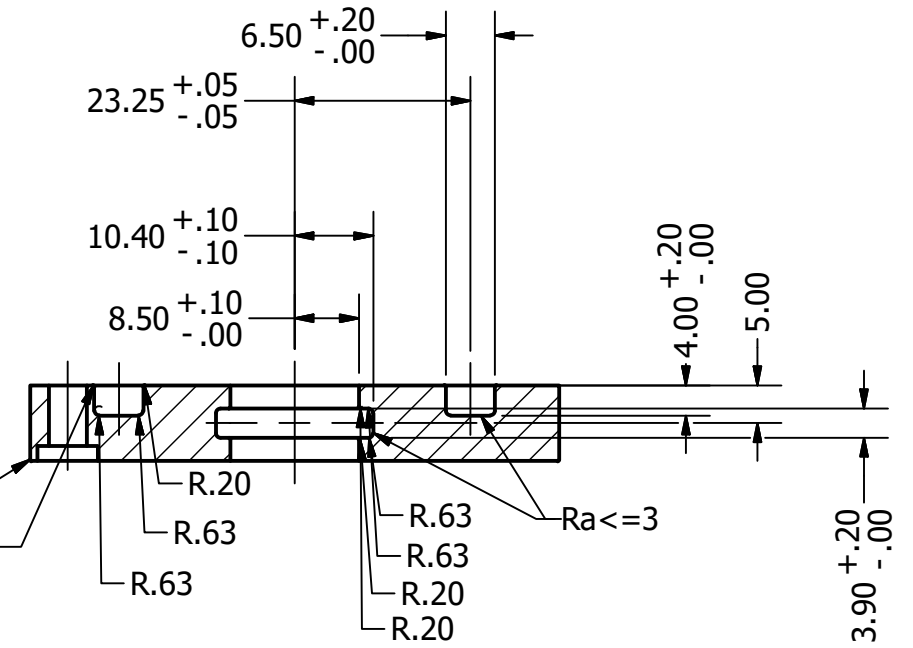
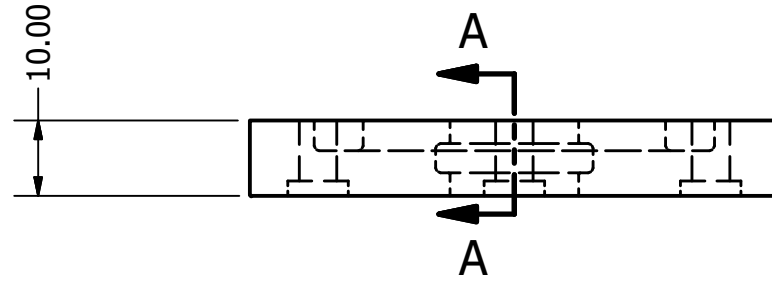
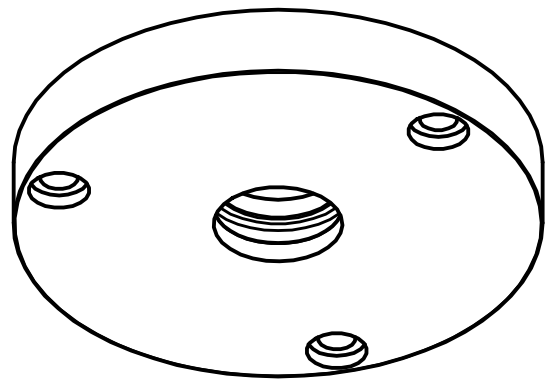


3x Ø5.00 THRU  
 □ Ø8.00 ▽ 2.00



SECTION A-A  
 SCALE 1 : 1

Kant reifes



Ikke angivne tolerancer bør følge DS/ISO 2768-1

DRAWN	kaki	18-01-2018	Teflon	
CHECKED			TITLE	
QA				
MFG				
APPROVED				
			SIZE	DWG NO
			A3	Plastic_Vac_lid_radial_seal_fina
			SCALE	REV
			1 : 1	
			SHEET 1 OF 1	